

VIEW A-A

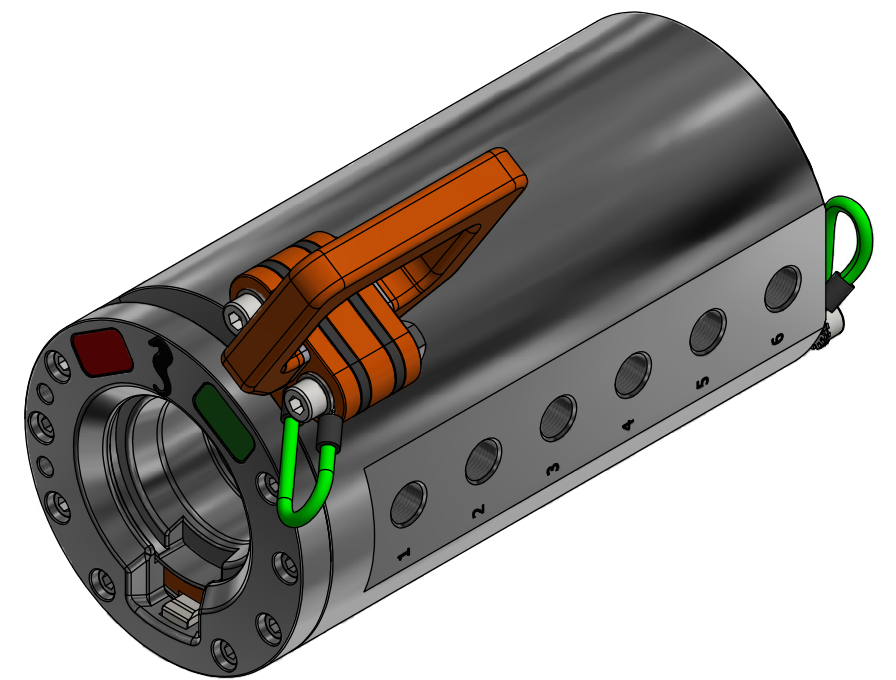
NOTE: 1
 DESIGN CODE:
 NS-EN 13445

NOTE: 2
 TECHNICAL CLASSIFICATION:
 Article Type: 003-Valve Stabs
 Main Group: 3.03. Ø55-Valvestab
 Intermediate Group: 3.12.02. Receptacle
 Sub Group: 3.12.69.6. Hexa

NOTE: 3
 INTERFACE INFORMATION:
 Pressure Rating Bar: 250
 Material: Long-term
 Weight: 20,5 kg
 Volume: 2,66 dm³
 Surface Area: 5024 cm²
 Hydraulic: 3/8" BSP
 Mechanical: N/A
 Electrical: N/A
 Com. & Protocol: N/A

NOTE: 4
 SPAREPARTS:
 BB1690

NOTE: 5
 ADDITIONAL INFORMATION:
 Usermanual: 600112-TD-0003



16	30.5.2024	9-IFU (Issued for Use)		WTJ	HNJ	WTJ
15	30.11.2023	9-IFU (Issued for Use)		WTJ	LGH	WTJ
14	30.1.2019	9-IFU (Issued for Use)		WTJ	LGH	WTJ
13	4.1.2019	9-IFU (Issued for Use)		WTJ	LGH	WTJ
Rev.	Date	Reason for issue	Revision change	Made	Chk'd	Appr.



Dwg Scale: NTS	Drawing title: Ø55 HP VStab Rec 250Bar Long-term BSP 3/8"
Dwg Proj: ☐	
Dwg Format: A3	
Drawing number: BA2409	Rev: 16